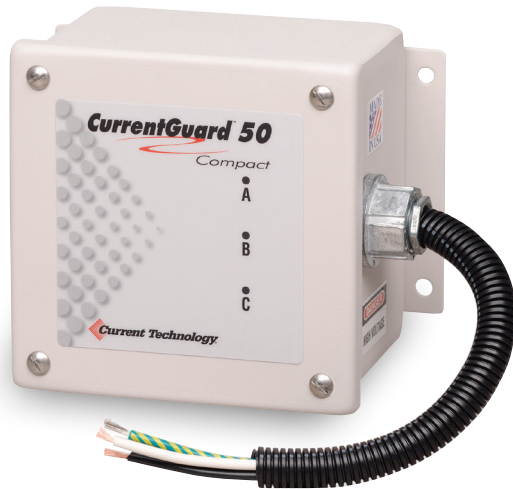


Extra Features



SYSTEM FEATURES

- UL Listed 1449 4th Edition for Type 1 and Type 2 SPD applications.
- Innovative Z-Path System™ ensures equal current sharing, increased reliability and maximum performance
- Individually fused MOVs provide superior protection and continuous operation
- 200kAIC short circuit current rating allows direct bus connection without the need of an upstream over-current protection device
- **Includes best-in-class UL 1283 enhanced EMI/RFI filter**
- All modes of protection (L-N, L-G, N-G & L-L)
- **Flush-mounting kit available for in-wall recess panel applications**
- DTS-2 compatible for proactive testing
- Ultra compact steel NEMA 4 enclosure makes installation flexible
- **10-Year standard product warranty**

MODEL NUMBER SCHEME

E.g.: CGC 050-120/208-3GY (as shown in above photo)

CGC 050 — **120/208-3GY** — **M**

Model Voltage Option

Voltage (Must Choose One)

120/240-2G	120/240V, 2-Phase, 3-Wire + Ground
120/208-3GY	120/208V, 3-Phase Wye, 4-Wire + Ground
277/480-3GY	277/480V, 3-Phase Wye, 4-Wire + Ground
240-3DG	240V, 3-Phase Delta, 3-Wire + Ground

Available Option

M	For Advanced Monitoring to include: Dry Relay Contacts Audible Alarm Alarm Silence Button Fault Light
---	---

Stand-Alone Options (To Be Ordered As Separate Items)

DTS	DTS-2 Diagnostic Test Set
CGC-FMP	Flush-Mount Plate Kit

PRODUCT SPECIFICATIONS

General Specifications

Maximum Surge Current Rating	50kA per mode, 100kA per phase
Nominal Discharge Surge Current	I-n = 10kA
Safety Listings	Listed by ETL to 1449 4th Edition for Type 1 and Type 2 SPD applications, cUL, and UL 1283 / Meets Requirements for UL 96A / Compliant to IEEE C62.41.1-2002, C62.41.2-2002 and C62.45-2002 / NFPA 70 [NEC], Article 285 / RoHS Compliant
Repetitive Surge Current Rating	3,250 impulses per mode based on actual test data (using ANSI/IEEE C62.41.1-2002 C3 combo wave)
Product Design	Hybrid parallel design Individually fused MOVs UL 1283 EMI/RFI Filter
Application	ANSI/IEEE C62.41.1 Locations C, B and A Ideal for Distribution Panels, Branch Panels and Critical Loads
Standard Monitoring	Status indicator lights (one per phase)
Fault Current (SCCR)	200kAIC – no upstream over-current protection device (breaker or fuse) required
Connection Method	Parallel
Protection Modes	All Modes (L-N, L-G, N-G, L-L)
Response Time	< 0.5 Nanoseconds
Operating Frequency	47 – 63 Hz
Warranty	10 Year

EMI / RFI Filter Attenuation – Mil Standard 220B

Up to 40 dB from 10 KHz to 100 MHz

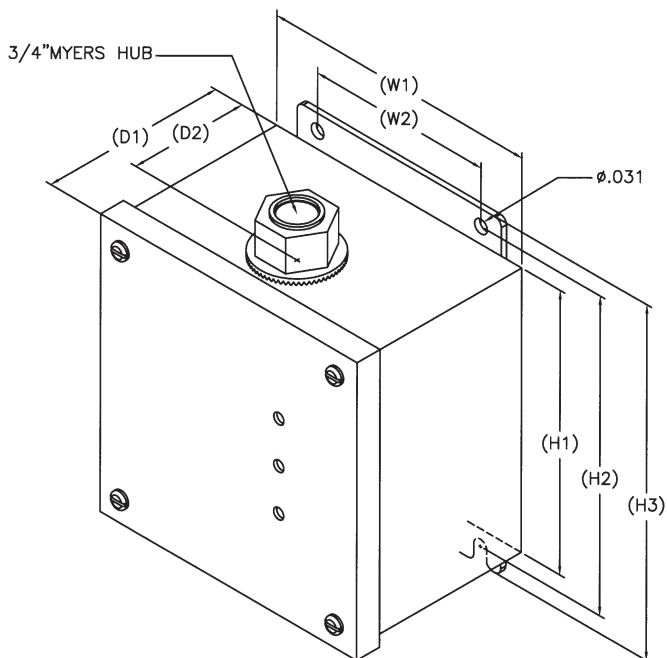


DIMENSIONAL SPECIFICATIONS

CGC50	Inches	(mm)
H1	6.00	(152.4)
H2	6.75	(171.5)
H3	7.50	(190.5)
W1	6.00	(152.4)
W2	4.00	(101.6)
D1	4.16	(105.7)
D2	2.50	(63.5)

MECHANICAL SPECIFICATIONS

Enclosure Type	Powder coated, impact-resistant steel, weather-proof NEMA 4
Installation Location	Indoor or outdoor
Dimensions	6"H x 6"W x 4.16"D
Connection Method	Pre-wired with 36 inches of #10AWG conductor
Mounting Method	Dual mounting flanges
Operating Environment	-40° F to +158° F (-40° C to +70° C) 5% – 95% non-condensing humidity
Weight	15 lbs.



CURRENTGUARD COMPACT 50 PERFORMANCE DATA

Model Number

CGC050-120/240-2G

CGC050-120/208-3GY

CGC050-277/480-3GY

CGC050-240-3DG

System Voltage	120/240V				120/208V				277/480V				240	
	L-N	L-G	L-L	N-G	L-N	L-G	L-L	N-G	L-N	L-G	L-L	N-G	L-G	L-L
Protection Mode														
MCOV	150	150	320	0	150	150	320	0	320	320	600	0	320	290
B3 Ring Wave 6kV, 500A	202	529	290	548	202	529	290	548	180	855	261	840	202	290
B3/C1 Combo Wave 6kV, 3kA	587	597	1029	594	587	597	1029	594	1036	989	1847	989	587	1029
C3 Combo Wave 20kV, 10kA	1078	1157	1667	1180	1078	1157	1667	1180	1553	1483	2520	1470	1078	1667
UL1449 3rd Edition 2006 Revision (effective 9/29/2009) SVR VPR 6kV, 3kA	600	600	1000	600	600	600	1000	600	1200	1200	2000	1200	1200	1000

All CurrentGuard™ Compact systems measured limited voltages are peak values (±10%) measured from the zero reference point.



ABB
Electrification Products Division
Building Products

Current Technology Surge Protective Devices

Tel: +1 800 238 5000

Fax: +1 804 236 4841

new.abb.com/low-voltage/products/surge

Specifications are subject to change without notice

BRO-CGC050-MK-2037 C01 081418