



Select® SL3™ suppression filter systems feature selenium-enhanced surge protection along with a powerful failure-free ISM™ (Integrated Suppression Module). The ISM™ contains individual thermally fused and protected MOVs, surge-rated copper busing, robust filtering and advanced remote communications capabilities. Additionally, the SL3's selenium-enhanced seamless technology design ensures maximum performance and a dramatically extended product life.

## PRODUCT SPECIFICATIONS

### General Specifications

|                                 |   |
|---------------------------------|---|
| Maximum Surge Current Rating    | 80kA Per Mode, 160kA Per Phase  |
| Nominal Discharge Surge Current | I-n = 20kA  |
| Safety Listings                 | UL Listed 1449 4th Edition for Type 1 and Type 2 SPD applications, cUL, and UL 1283 / Meets Requirements for UL 96A / Compliant to IEEE C62.41.1-2002, C62.41.2-2002 and C62.45-2002 / NFPA 70 [NEC], Article 285 |
| Protection Method               | Thermally protected MOVs, Selenium, Capacitive Filter   |
| Product Design                  | Individual thermally fused and protected MOVs, Selenium Cells, and All Copper, Tin-plated Bus   |
| Dimensions                      | 16"H x 16"W x 9.2"D   |
| Weight                          | 42 lbs.   |
| Enclosure Type                  | NEMA 4/12 Standard (NEMA 4X Option)   |
| Installation Location           | Outdoor or Indoor   |
| Operating Environment           | -25°C to +60°C<br>5% – 95% Non-Condensing Humidity  |
| Fault Current (SCCR)            | 200kAIC   |
| Connection Method               | Parallel  |
| Protection Modes                | All Modes (L-N, L-G, N-G, L-L)  |
| Response Time                   | < 0.5 Nanoseconds   |
| Operating Frequency             | 47 – 63 Hz  |
| Warranty                        | 20 Years  |

### Filtering Attenuation Frequencies (Per Mil-Std-220B January 2000)\*\*

| 10 KHz  | 100 KHz | 1 MHz   | 10 MHz  | Max at 142 KHz |
|---------|---------|---------|---------|----------------|
| 18.1 dB | 44 dB   | 22.8 dB | 15.3 dB | 54.6 dB        |

### Single/Repetitive Surge Current Capacities (Tested)\*\*

| Protection Mode   | Single Pulse Surge Current Capacity/Mode | Repetitive Surge Current Capacity/Mode |
|-------------------|--|--|
| Line-to-Neutral   | 80,000A                                  | 12,000 Impulses                        |
| Line-to-Ground    | 80,000A                                  | 12,000 Impulses                        |
| Neutral-to-Ground | 80,000A                                  | 12,000 Impulses                        |
| Line-to-Line      | 160,000A                                 | 24,000 Impulses                        |
| Per Phase         | 160,000A                                 | 24,000 Impulses                        |

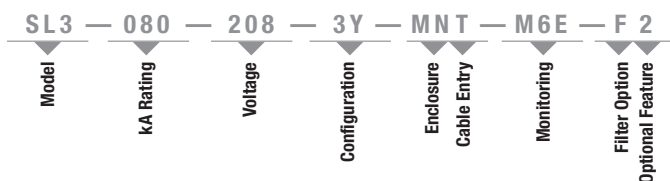
### Maximum Continuous Operating Voltage (MCOV)

| Voltage | L-N MCOV | Voltage | L-L MCOV |
|---------|----------|---------|----------|
| 120V    | 150V     | 240V    | 300V     |
| 277V    | 320V     | 480V    | 552V     |
| 347V    | 420V     | 600V    | 690V     |

\*\* Data based on actual tests. Contact factory for test reports

## MODEL NUMBER SCHEME (SL3™)

E.g.: SL3-080-208-3Y-MNT-M6E-F2 (as shown in above photo)



### kA Rating (Must Choose One)

Available SL3™ kA Ratings:  
050, 080, 100, 125, 150, 200, 250, 300

### Voltage\* (Must Choose One)

|     |         |
|-----|---------|
| 208 | 120/208 |
| 240 | 120/240 |
| 380 | 220/380 |
| 480 | 277/480 |

### Configuration\* (Must Choose One)

|    |                                   |
|----|-----------------------------------|
| 1G | 1-Phase, Grounded                 |
| 2G | 2-Phase, Grounded, Split-Phase    |
| 3Y | 3-Phase, Grounded, Wye            |
| 3H | 3-Phase, Grounded, High-Leg Delta |
| 3D | 3-Phase, Grounded, Delta          |

### Enclosure (Must Choose One)

|    |                                    |
|----|------------------------------------|
| MN | Metal Without Disconnect           |
| SN | Stainless Steel Without Disconnect |

### Cable Entry (Must Choose One)

|   |             |
|---|-------------|
| T | Top Feed    |
| B | Bottom Feed |

### Monitoring (Must Choose One)

|     |   |
|-----|---|
| M0  | No local monitoring (see remote MxX stand-alone option)                 |
| M1  | Smart switching tri-color/LED/Phase, Audible Alarm & Dry Relay Contacts |
| M2  | M1 + Surge Counter  |
| M3  | Advanced Monitoring, Character Display, Modbus RTU                      |
| M4E | M3 + Ethernet, Modbus TCP   |
| M5  | Advanced Monitoring, Graphics Display, Modbus RTU                       |
| M6E | M5 + Ethernet, Modbus TCP   |

### Filter (Must Choose One)

|   |           |
|---|-----------|
| F | Filter    |
| N | No Filter |

### Optional Feature (May Choose One)

|   |           |
|---|-----------|
| 2 | Test Port |
|---|-----------|

### Stand-Alone Options

(To Be Ordered As Separate Items)

|     |   |
|-----|---|
| DTS | DTS-2 Diagnostic Test Set                 |
| MxX | Remote Monitor Extension M1X through M6EX |
| HPI | HPI Cable                                 |

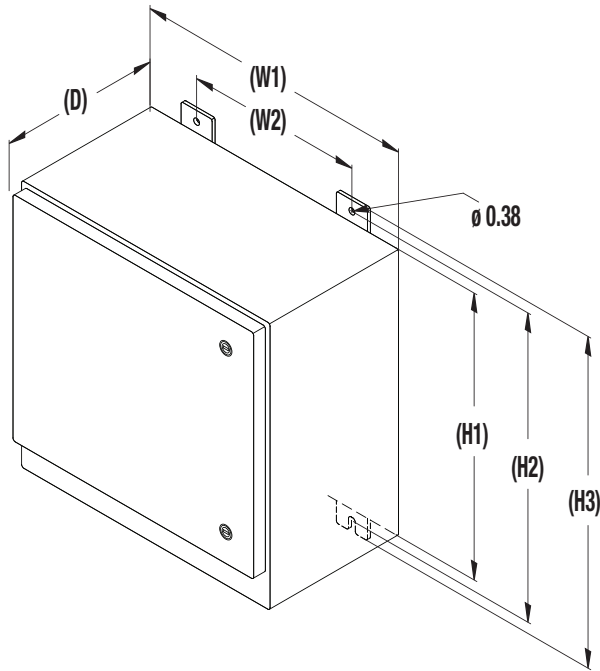


\*See table on back for more Voltage/Configuration Options.



## DIMENSIONAL SPECIFICATIONS

| SL3™/080 | Inches | (mm)    |
|----------|--------|---------|
| H1       | 16.00  | (406.4) |
| H2       | 17.25  | (438.2) |
| H3       | 18.50  | (469.9) |
| W1       | 16.00  | (406.4) |
| W2       | 10.00  | (234.0) |
| D        | 9.20   | (233.7) |



## VOLTAGE/CONFIGURATION OPTIONS

Not all voltage configurations are displayed, contact your local sales representative for additional configurations.

| Voltage | Configuration |    |    |    |    |
|---------|---------------|----|----|----|----|
|         | 1G            | 2G | 3Y | 3H | 3D |
| 120     | X             |    |    |    |    |
| 208     | X             |    | X  |    | X  |
| 220     | X             | X  |    |    | X  |
| 230     | X             |    |    |    | X  |
| 240     | X             | X  |    | X  | X  |
| 380     |               | X  | X  |    | X  |
| 415     |               | X  | X  |    | X  |
| 480     |               | X  | X  |    | X  |

## SL3™/80 PERFORMANCE DATA

| System Voltage                              | 120/240V<br>or<br>120/208V |      |      |      | 277/480V |      |      |      | 347/600V |      |      |      | 240V Delta |      | 480V Delta |      | 600V Delta |      |
|---|----------------------------|------|------|------|----------|------|------|------|----------|------|------|------|------------|------|------------|------|------------|------|
|   | L-N                        | L-G  | N-G  | L-L  | L-N      | L-G  | N-G  | L-L  | L-N      | L-G  | N-G  | L-L  | L-G        | L-L  | L-G        | L-L  | L-G        | L-L  |
| <b>Protection Mode</b>                      | L-N                        | L-G  | N-G  | L-L  | L-N      | L-G  | N-G  | L-L  | L-N      | L-G  | N-G  | L-L  | L-G        | L-L  | L-G        | L-L  | L-G        | L-L  |
| <b>MCOV</b>                                 | 150                        | 150  | 150  | 300  | 320      | 320  | 320  | 552  | 420      | 420  | 420  | 690  | 320        | 300  | 552        | 552  | 690        | 690  |
| <b>B3 Ring Wave<br/>6kV, 500A</b>           | 580                        | 700  | 740  | 590  | 560      | 620  | 730  | 660  | 570      | 650  | 730  | 680  | 620        | 590  | 1530       | 660  | -          | -    |
| <b>B3/C1 Combo Wave<br/>6kV, 3kA</b>        | 596                        | 675  | 682  | 964  | 1020     | 1066 | 969  | 1824 | 1197     | 1260 | 1186 | 2354 | 1066       | 964  | 1604       | 1824 | 1260       | 2354 |
| <b>C3 Combo Wave<br/>20kV, 10kA</b>         | 1640                       | 1460 | 1520 | 1960 | 1890     | 1890 | 2020 | 3020 | 2080     | 2200 | 2140 | 3390 | 1890       | 1960 | 2460       | 3020 | -          | -    |
| <b>UL 1449 4th Edition<br/>VPR 6kV, 3kA</b> | 700                        | 700  | 700  | 1000 | 1200     | 1200 | 1000 | 2000 | 1200     | 1500 | 1200 | 2500 | 1200       | 1500 | 1800       | 2000 | 3000       | 2500 |

All SL3™ systems voltage protection ratings (VPR) are peak values ( $\pm 10\%$ ) measured from the 90° reference point and are in compliance with test and evaluation procedures outlined in ANSI/IEEE C62.41



**ABB**  
**Electrification Products Division**  
**Building Products**  
**Current Technology Surge Protective Devices**  
 Tel: +1 800 238 5000  
 Fax: +1 804 236 4841  
[new.abb.com/low-voltage/products/surge](http://new.abb.com/low-voltage/products/surge)

Specifications are subject to change without notice

BRO-SL3080-MK-2003 C01 081418