

# LDP

## LIGHT DUTY FOR AC APPLICATIONS



### FEATURES AND BENEFITS

- Listed by ETL to UL 1449 3rd Edition for a Type 1 SPD application.
- Multiple Metal Oxide Varistors (MOVs), with individual current fusing and thermal disconnects for each MOV.
- LED indicates proper functioning of L-N MOVs.
- Intended for use on U.S., TN-C, TN-C-S and TNS grounded systems.

### AVAILABLE CONFIGURATIONS

#### MODEL NUMBER SCHEME

kA Rating	Voltage	Modes Protected	
LDP	XX	-	YYY - Z
20	120	1	L1-N, N-G (1 LED)
25	127	2	L1-N, L2-N (2 LEDs)
30	230	3	L1-G, L2-G (2 LEDs)
	277	4	L1-G, N-G (1 LED)
		5	L1-N, L1-G (2 LEDs)
		6	L1-N (1 LED)
		7	L1-G (1 LED)
		8	N-G (0 LEDs)
		9	L1-L2 (1 LED)

Example: **LDP30-120-1**  
**30kA** device suitable for **120V** systems, designed to protect **L1-N and N-G mode**

**A dedicated breaker should be ≥20A at main panel or ≥10A at subpanel.**

#### Warranty

3-years

#### Available Options

Mounting Bracket Add suffix -B

### PRODUCT SPECIFICATIONS

#### Electrical

Nominal Discharge Current Rating (I-n)	10kA
Operating Frequency	47-63Hz
Connection Methods	Parallel to Load (shunt) 18" #14 AWG wires Direct connect or Breaker
Modes of Protection	L-N, L-G, N-G
Fault Rating (SCCR)	65kAIC
Response Time	Less than 1 nanosecond
Standard Monitoring	LED status indicator lights (one per phase)

#### Mechanical

Weight	1 lb. (.5kg)
Enclosure Type	NEMA 1, Non-metallic
Installation Location	Indoor
Mounting Method	NPS Thread & Aluminum Bracket
Operating Environment	-40° to +176°F (-40° to +80°C)
Altitude	Up to 16,400 ft. (5000 m)
Product Design	Individually fused MOVs Overcurrent Fusing Thermal Fusing

#### Regulatory

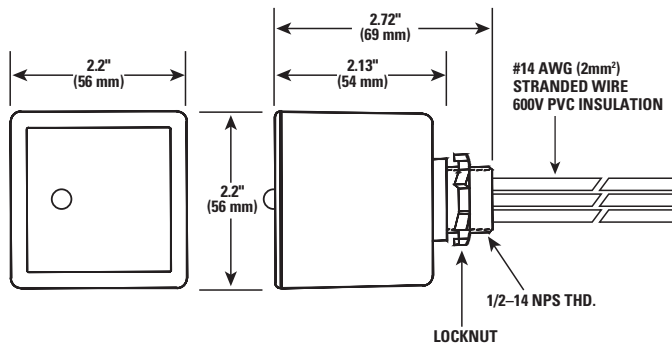
UL 1449 3rd Edition Type	Type 1
UL 1283	No
IEEE C62.41.1, .2, C62.45	Yes
Listed By	ETL

## LDP PERFORMANCE DATA

Model Number	Voltage Configuration	Protection Modes	MCOV	UL 1449 3rd Edition 6kV 3000A VPR
LDP-xx-120	120	L-N	150	700V
		L-G	150	700V
		N-G	150	700V
LDP-xx-127	127	L-N	180	700V
		L-G	180	700V
		N-G	180	700V
LDP-xx-230	277	L-N	320	1000V
		L-G	320	1000V
		N-G	320	1000V
LDP-xx-277	480	L-N	320	1000V
		L-G	320	1000V
		N-G	320	1000V



## DIMENSIONAL SPECIFICATIONS



Thomas & Betts Corporation  
 5900 Eastport Blvd., Bldg. V  
 Richmond, VA 23231  
 Phone: 800.238.5000  
[www.tnbpowersolutions.com](http://www.tnbpowersolutions.com)